

REV OV 100Ah 1,280kWh



KEY FEATURES

- Ultra-safe Lithium Iron Phosphate (**LiFePO₄**) technology.
- Integrated battery management System (BMS).
- Light weight & compact.
- Water & dust resistant (IP56).
- Highly durable ABS enclosure.
- Drop-in lead acid replacement. (with LI consideration)
- Internal BMS for self protecting and maintenance.
- The battery can be connected in series.
- Under and over voltage protection.
- The Bluetooth app allows for the measurement of the battery's Total Voltage, Remaining Voltage, Temperature and Time Left until fully Discharged.
- USB connection - 5V2A charging interface.

APPLICATION

- Camping Equipment companies.
- 4x4 enthusiasts.
- 24V Backup Systems.

WARRANTY

REV OV Batteries (PTY) LTD:

3 years or 2 000 cycles.

During normal use, the unit can be discharged safely to 90% of its rated capacity. Battery life is shortened if the unit is discharged beyond its rated capacity.

The battery must be charged 100% on every cycle to ensure warranty.

FREEDOM FROM DEPENDENCE

WWW.REV OV CO.ZA

The **12.8V 100 Ah** battery is **LiFePO₄** chemistry and has an integrated battery management system making it the perfect portable power solution.

Lithium Iron Phosphate battery technology has greater energy density and lifecycle, it is a stable chemistry that maintains a high thermal runaway, resulting in a long life at low costs.

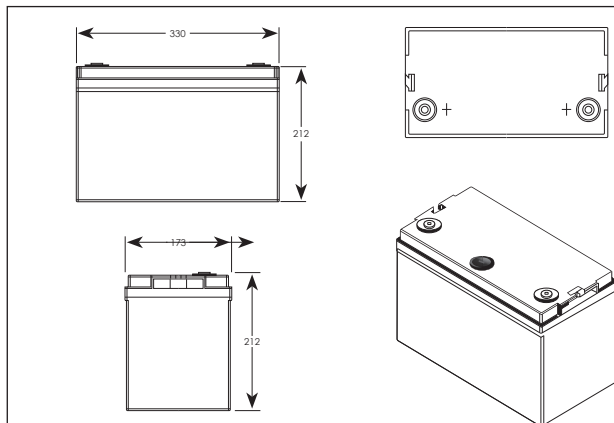
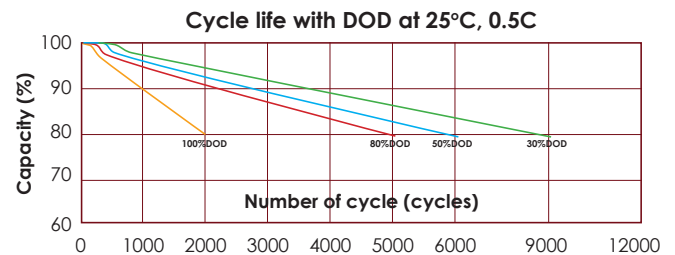
BATTERY SPECIFICATIONS

Items	Characteristics
Nominal capacity	100Ah
Nominal energy	1280Wh
Nominal Voltage	12.8V
End of discharge voltage	11.5V
Standard charge voltage	14.1V
Float charge voltage	13.7V
Standard charge current	20A
Operating current	20A
BMS peak current	70A
Internal Resistance	$\leq 20\text{m}\Omega$

Items	Characteristics
Weight	Approx. 21.0kg, $\pm 5\%$
Ex-factory capacity SOC	Approx. 50% SOC
Discharge temperature	$-20^{\circ}\text{C} - 60^{\circ}\text{C}$
Charge temperature	$0^{\circ}\text{C} - 45^{\circ}\text{C}$
Recommended Storage Environment	$15 - +35^{\circ}\text{C}$, $5 - 75\% \text{RH}$
Cycle Storage	@ 50% 56C within 6 months

ELECTRICAL CHARACTERISTICS & TEST CONDITION

Items	Standards
Nominal capacity	$\leq 100\text{Ah}$
Internal impedance	$\leq 40\text{m}\Omega$
Short circuit protection under and over voltage protection	Auto cutoff load when short circuit



Remarks:

1. The shell defaults to black highly durable ABS plastic, which can be customised;
2. The positive and negative terminals are M8, with M8 combination screws. (The plug-in spring cable is not equipped by default, and the cable can be customized)

Enquiries: enquiries@revov.co.za

Enquiries: 010 035 6061

WhatsApp: +27 (0)73 159 5938

Technical Service Desk: 010 035 0680

Technical Service Email: admin@revov.co.za

Unit 1, Cranberry Industrial Park, 1486 Cranberry Street
Honeydew, Roodepoort, 2040 • GPS: 2604'46.9"S 2755'31.7"E



**FREEDOM
FROM DEPENDENCE**
WWW.REVOV.CO.ZA